

 **OUTDOOR**
STATIONS



synthesi

S2

MODULE HOLDERS WITH FRAMES
1148/61-1148/62-1148/63-1148/64



URMET IS IN YOUR LIFE

synthesi

S2

MODULE HOLDERS WITH FRAMES

1148/61-1148/62-1148/63-1148/64

 **OUTDOOR**
STATIONS



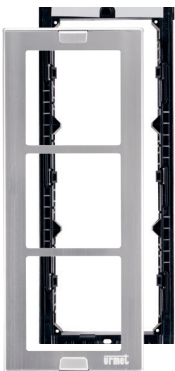
Ref. 1148/61

- Module holder with Synthesi S2 aluminium frame for 1 module
- Dimensions (H x W):
119 x 125 mm
4,68 x 4,92 in



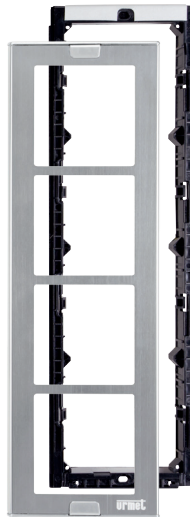
Ref. 1148/62

- Module holder with Synthesi S2 aluminium frame for 2 modules
- Dimensions (H x W):
209 x 125 mm
8,22 x 4,92 in



Ref. 1148/63

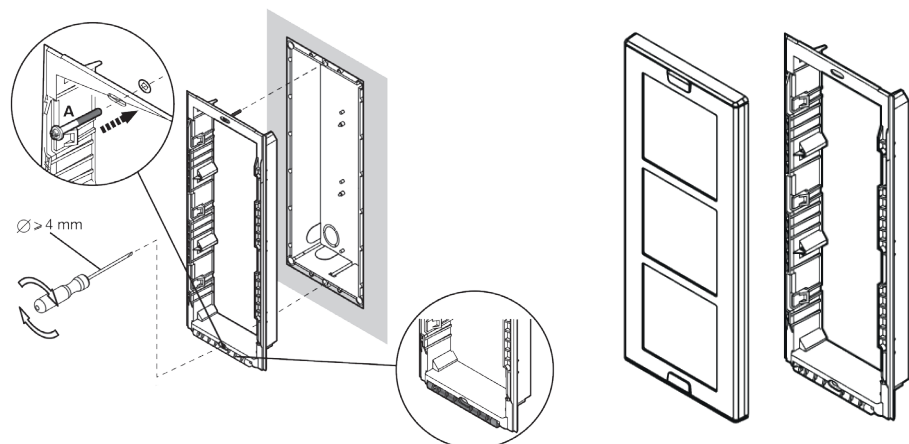
- Module holder with Synthesi S2 aluminium frame for 3 modules
- Dimensions (H x W):
299 x 125 mm
11,77 x 4,92 in



Ref. 1148/64

- Module holder with Synthesi S2 aluminium frame for 4 modules
- Dimensions (H x W):
389 x 125 mm
15,31 x 4,92 in

Fit the module holder
in the embedding box



urmet

URMET S.p.A.

Via Bologna, 188/C | 10154 TORINO (ITALY)

Switchboard Phone +39-011.24.00.000

Export Dept. Phone +39-011.24.00.250/256

Fax +39-011.24.00.296

www.urmet.com | info@urmet.com

Customer Service +39-011.23.39.810